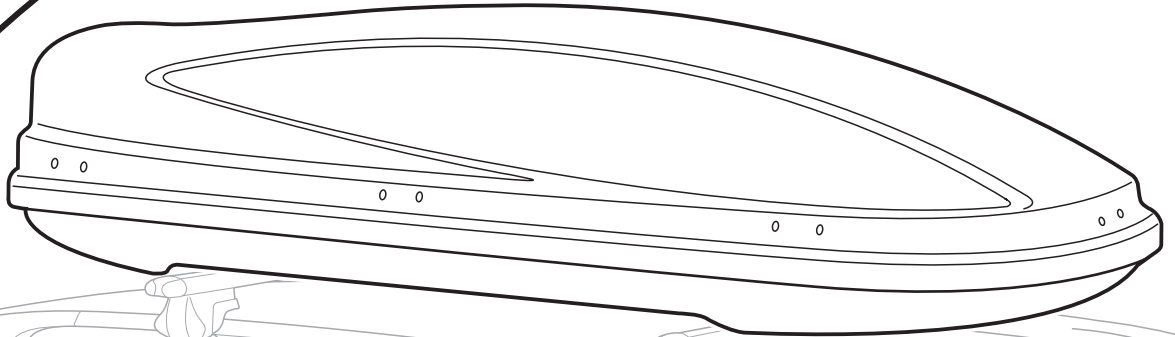


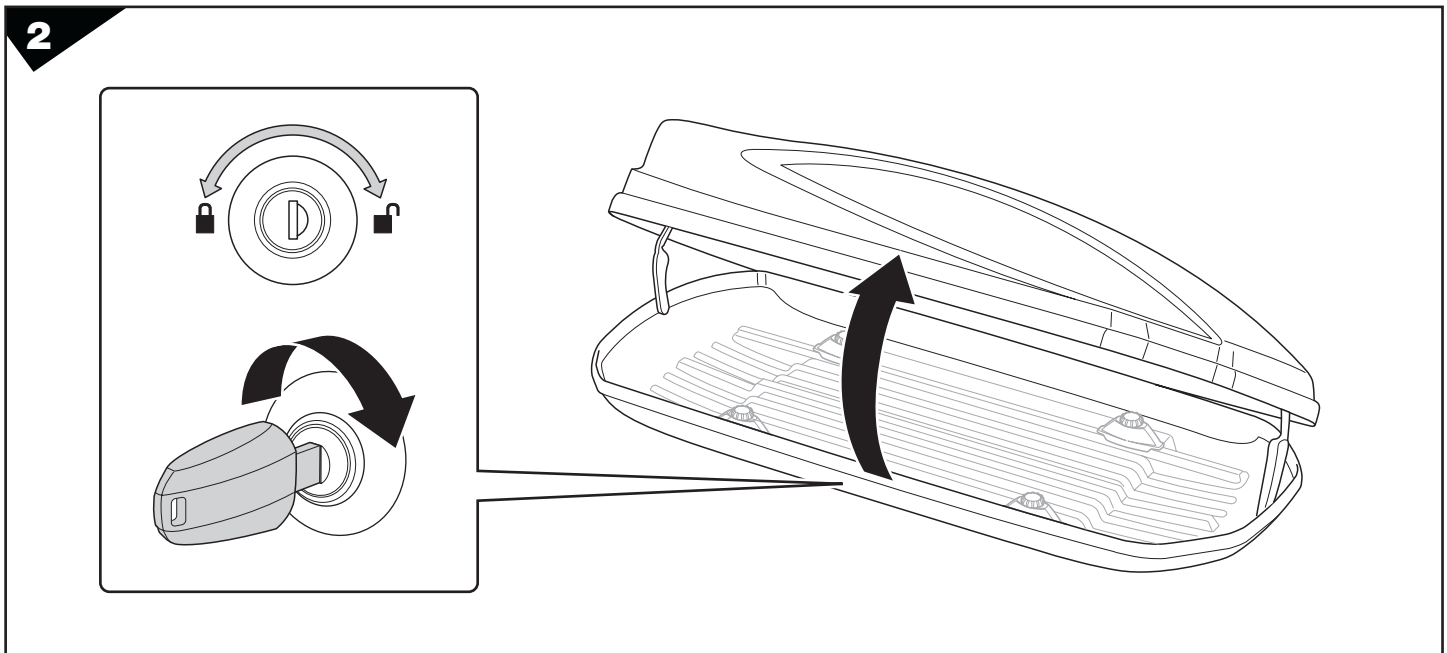
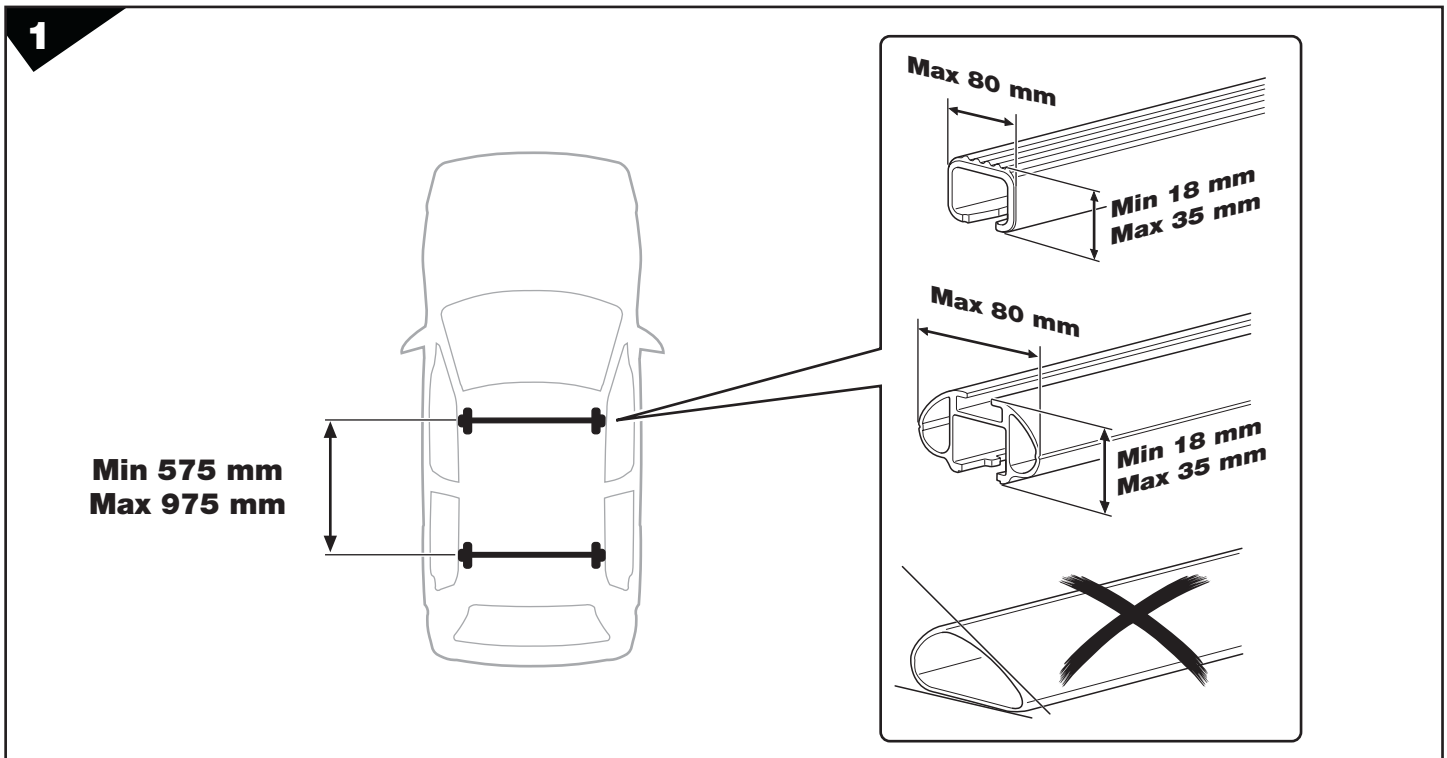
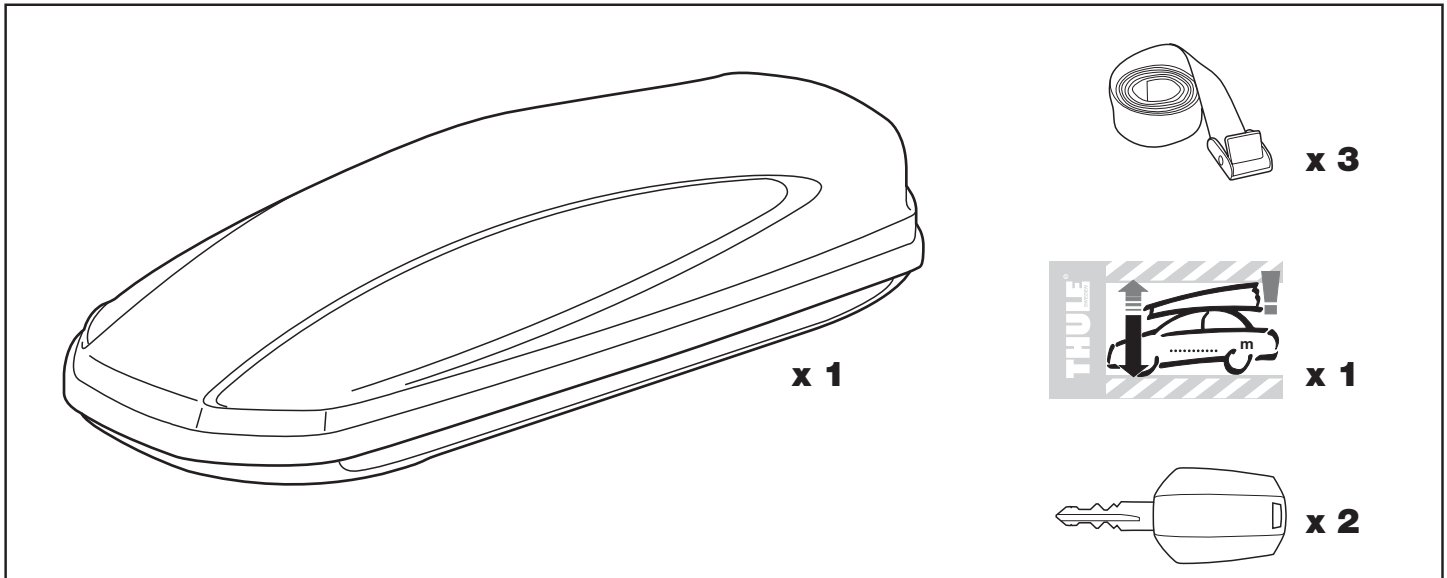
**GB** Fitting instructions  
**D** Montageanleitung  
**F** Instructions de montage  
**NL** Montage-instructies  
**I** Istruzioni per il montaggio  
**E** Instrucciones de montaje  
**PT** Instruções de Montagem  
**S** Monteringsanvisning  
**FIN** Asennusohje  
**EST** Paigaldusjuhend  
**LAT** Stiprināšanas instrukcija  
**LIT** Pritvirtinimo instrukcijos  
**PL** Instrukcja montażu  
**RU** Инструкции по установке  
**CZ** Návod na montáž

**SK** Návod na montáž  
**SLO** Navodila za pritrjevanje  
**HR** Uputa za sastavljanje  
**HU** A felszerelés módja  
**GR** Οδηγίες συναρμολόγησης  
**TR** Montaj talimatları  
**中文** 安装说明  
**日本語** 取扱(取付)説明書  
**한국어** 장착 지침  
**ไทย** คำแนะนำการติดตั้ง

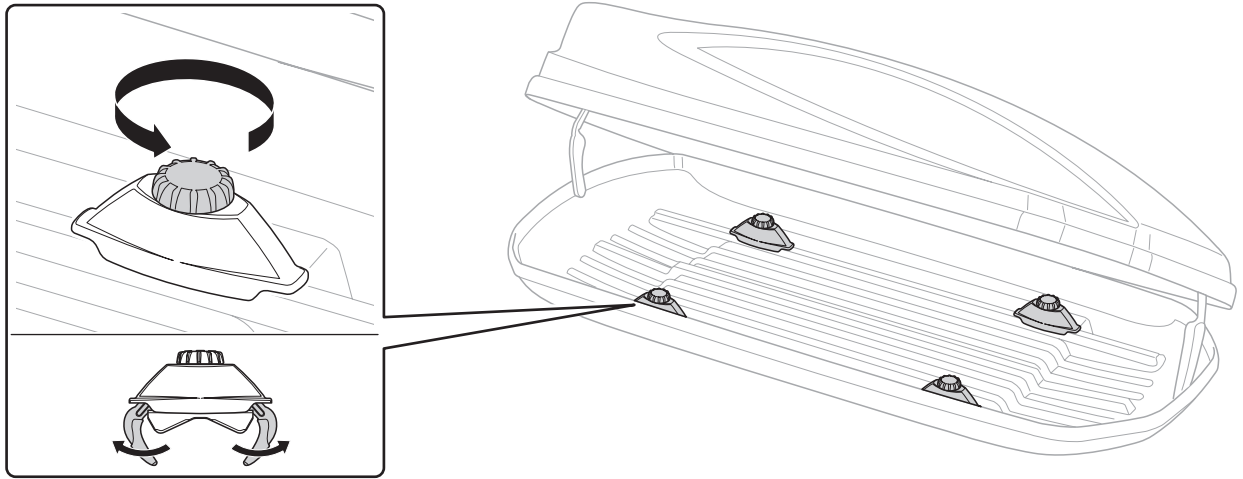


**Atlantis**  
200, 600, 780, 900

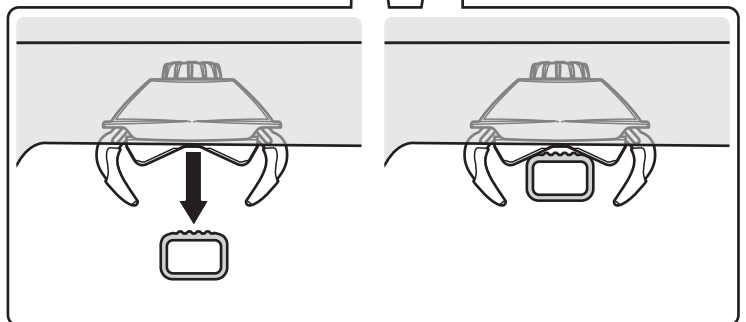
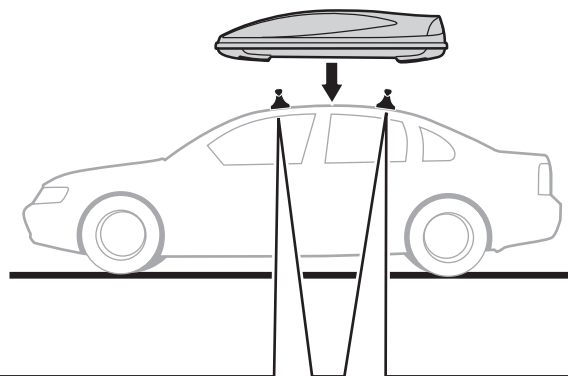
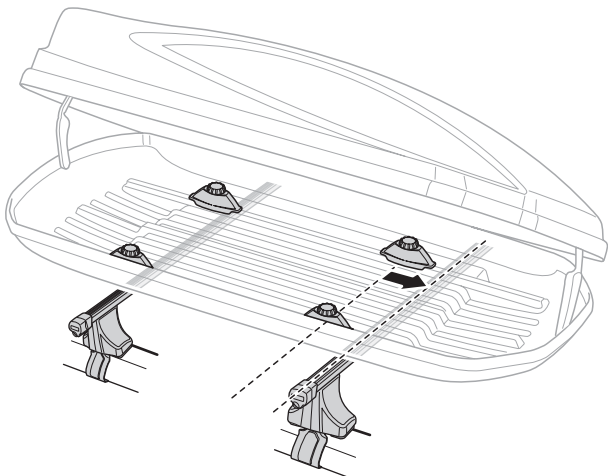
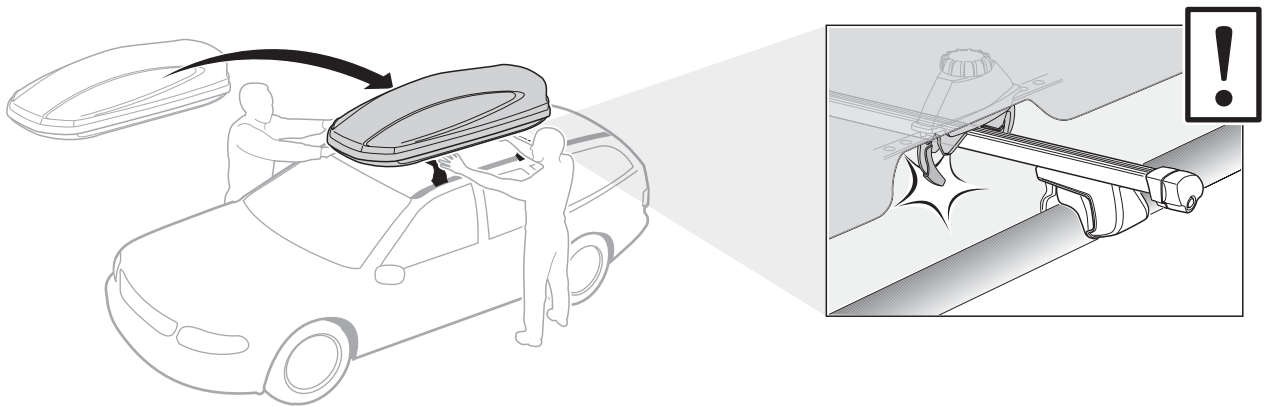
**Follow me...**



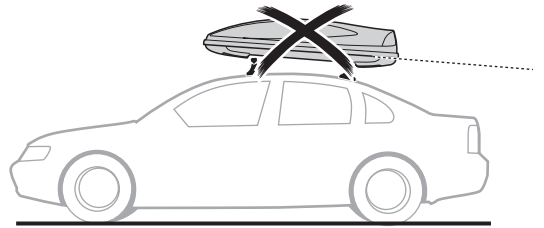
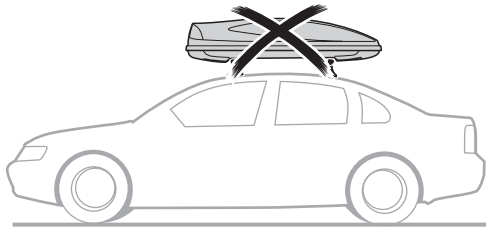
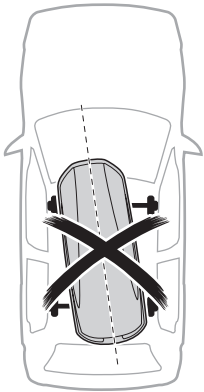
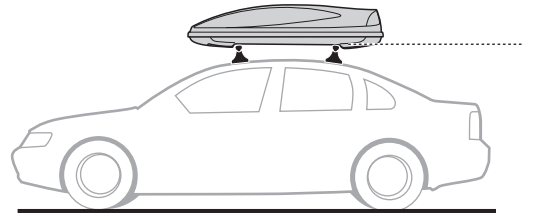
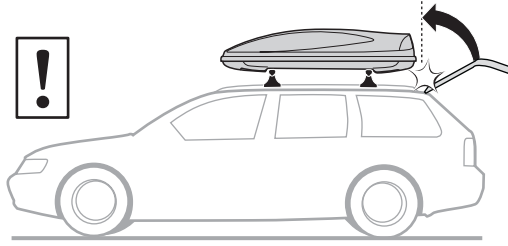
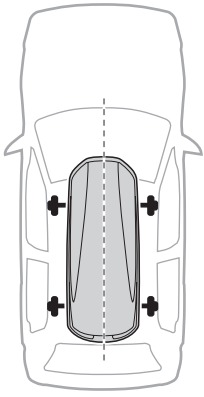
3



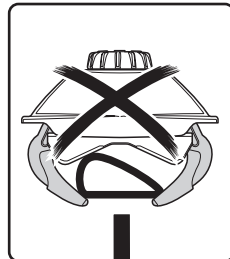
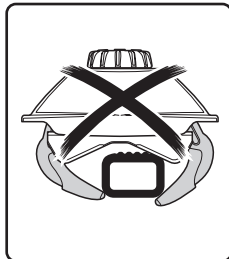
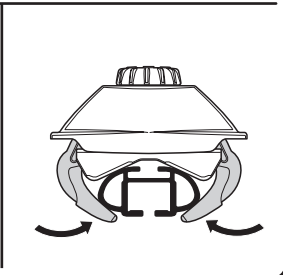
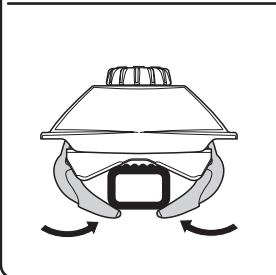
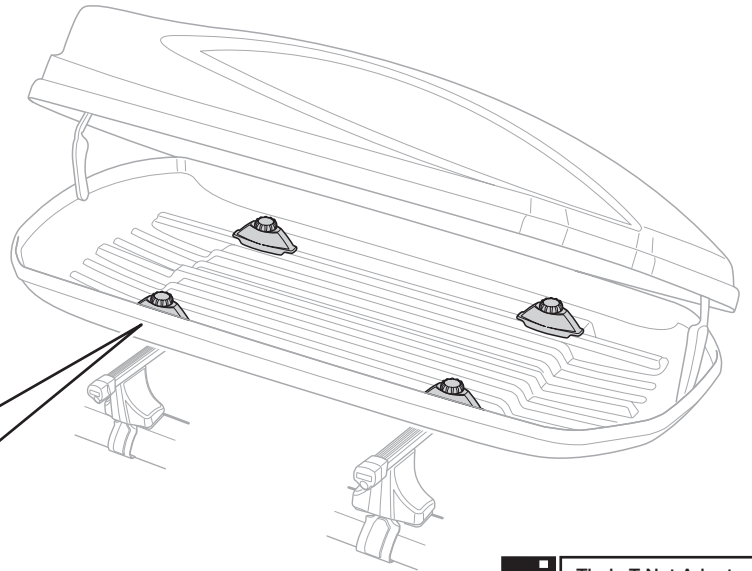
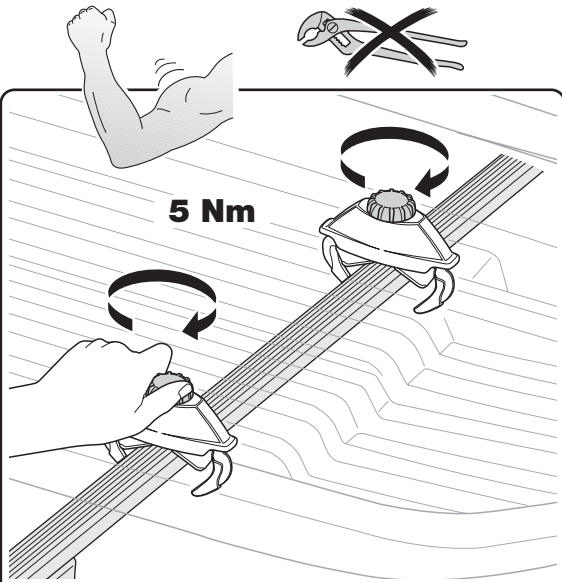
4



5



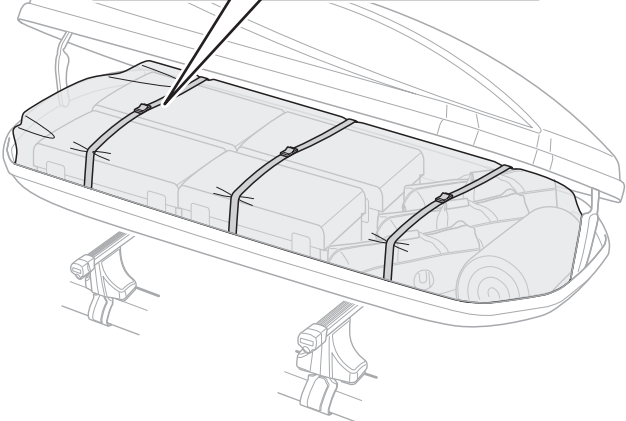
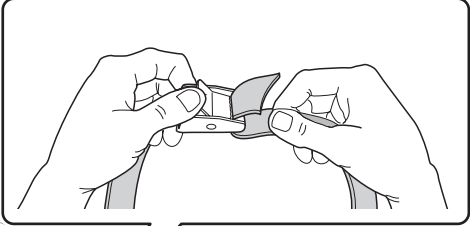
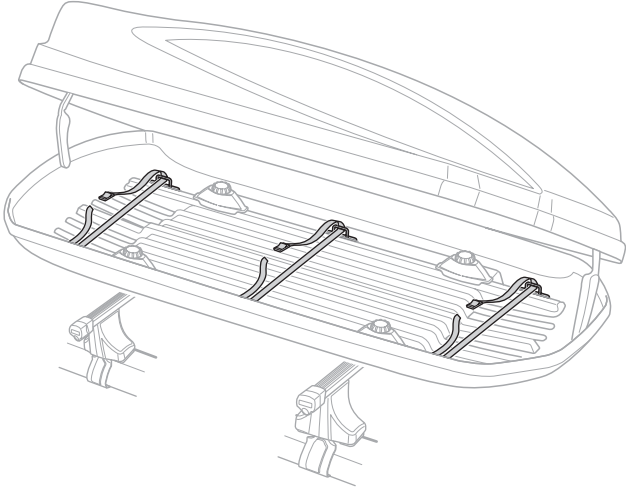
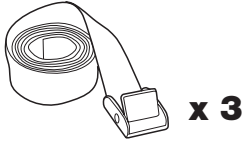
6



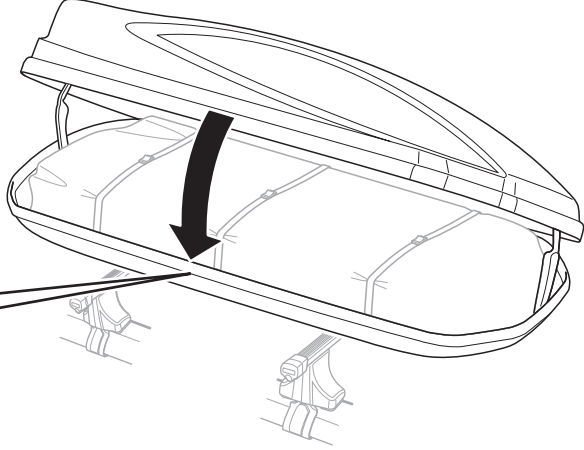
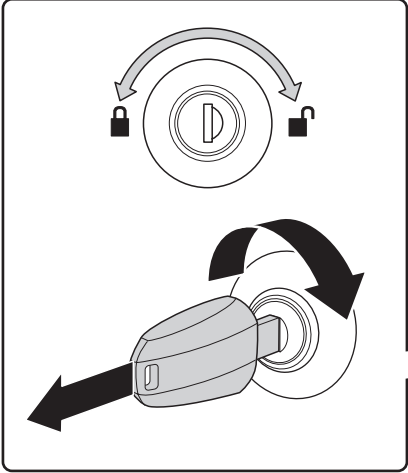
**Thule T-Nut Adapter**

**696400**  
**697400**

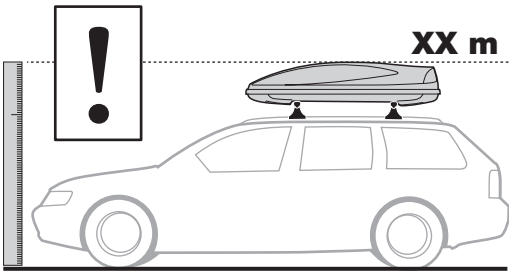
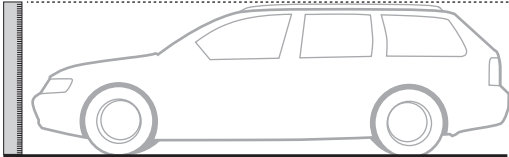
7



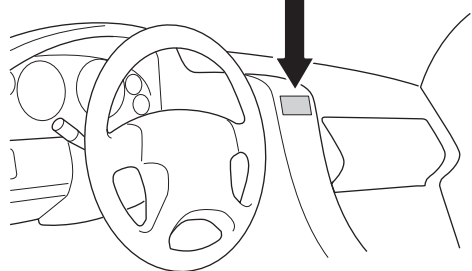
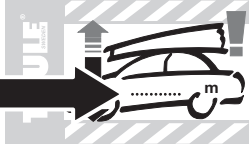
8



9



XX m



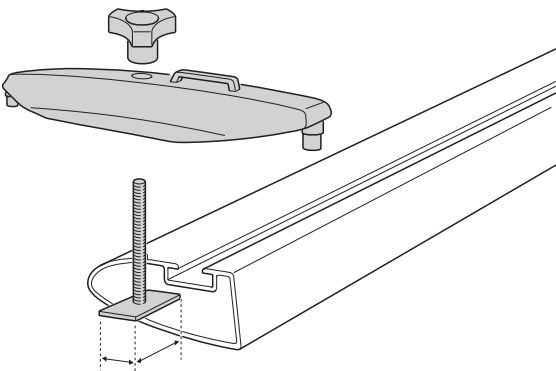
GB Accessories  
 D Zubehör  
 F Accessoires  
 NL Accessoires  
 I Accessori  
 E Accesorios  
 PT Acessórios

S Tillbehör  
 FIN Lisävarusteet  
 EST Lisavarustus  
 LAT Piederumi  
 LIT Priedai  
 PL Akcesoria  
 RU Аксессуары

CZ Doplnky  
 SK Príslušenstvo  
 SLO Dodatki  
 HR Dodaci  
 HU Tartozékok  
 GR Παρελκόμενα  
 TR Aksesuarlar

中文 附件  
 日本語 付属品  
 한국어 액세서리  
 ไทย อุปกรณ์เสริม


Thule T-Nut Adapter



**696400** → 24x30 mm

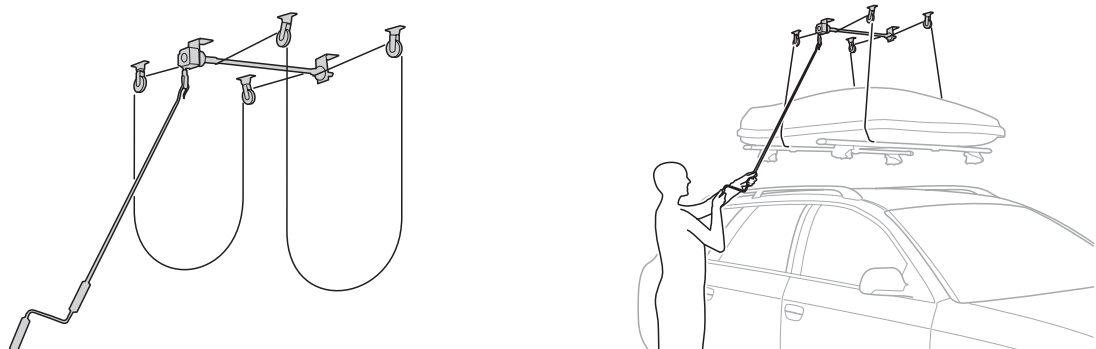
**697400** → 20x20 mm

Thule Clamp Lamp



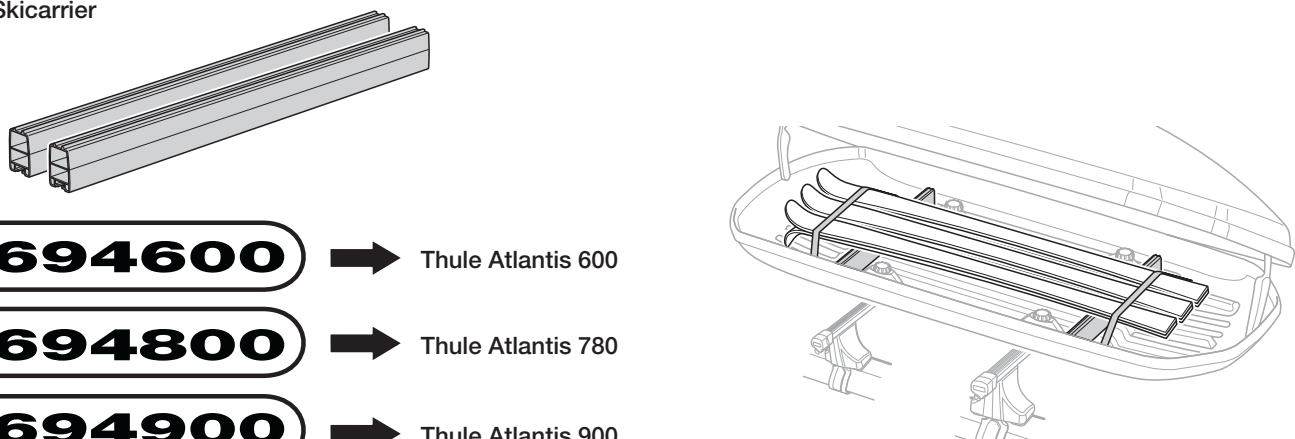
**850**  
850000

Thule Boxlift



**571**  
571000

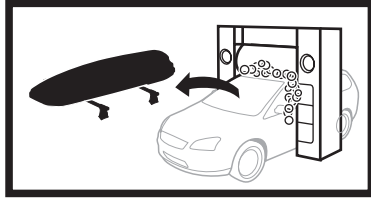
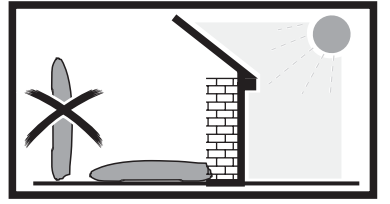
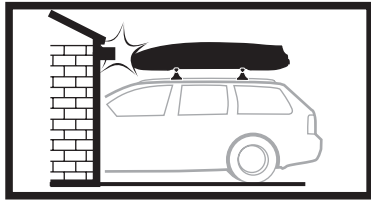
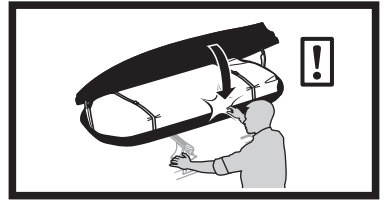
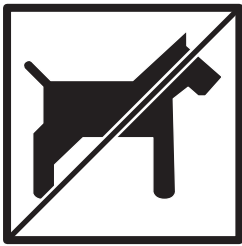
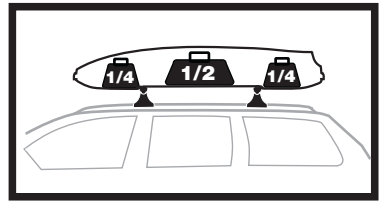
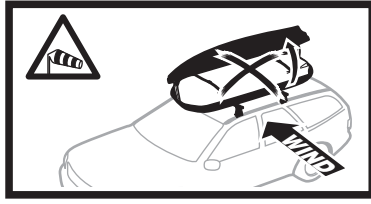
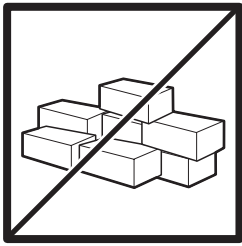
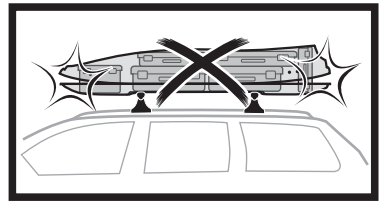
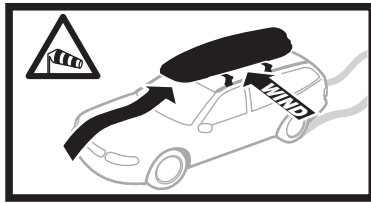
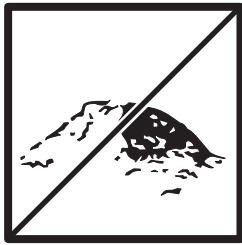
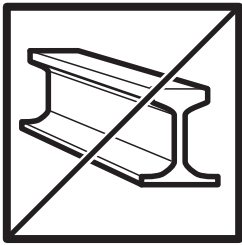
Thule Skicarrier



**694600** → Thule Atlantis 600

**694800** → Thule Atlantis 780


**694900** → Thule Atlantis 900



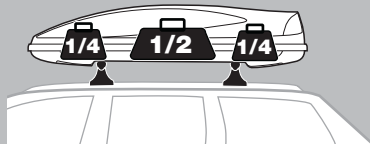
**THULE**  
ONE  
KEY  
SYSTEM

- 544 (x4)
- 596 (x6)
- 588 (x8)
- 452 (x12)

1. Insert the key into the lock cylinder at a 45-degree angle.
2. Turn the key clockwise to the right.
3. Push the key back into the lock cylinder.
4. Turn the key counter-clockwise to the left.
5. Insert the key into the lock cylinder.
6. Push the key back into the lock cylinder.
7. Turn the key clockwise to the right.
8. Turn the key counter-clockwise to the left.



Atlantis **200**: 17 kg  
 Atlantis **600**: 16 kg  
 Atlantis **780**: 18 kg  
 Atlantis **900**: 26 kg



**Max.  
75 kg**

Kaufdatum/Date of purchase:

Kassenzettel hier abheften  
 Place receipt here

Händler/Dealer:

Stempel/stamp

Ihre Schlüsselnummer  
 Your Key-Number

